

# GOLZER

## BANC-50 User's Guide

Bluetooth® Active Noise Cancelling Headphones

## ***Bluetooth® Active Noise Cancelling Headphone***

The user manual explains the features and functions of your BANC-50 to help ensure an optimal user experience.

### **Product Specifications:**

Bluetooth® version: 4.1

Bluetooth® chipset: CSR8645 w/apt-X

Noise cancellation rate: 85%

Speakers: 40mm Neodymium

Audio impedance: 32Ohm

Charging time: about 3.0 hours

Charging: Micro USB

BT operating range: ≥10 m

Connection: 3.5mm jack

Battery time (Bluetooth® only): 15 hours

Battery time (Noise cancelling only): 30 hours

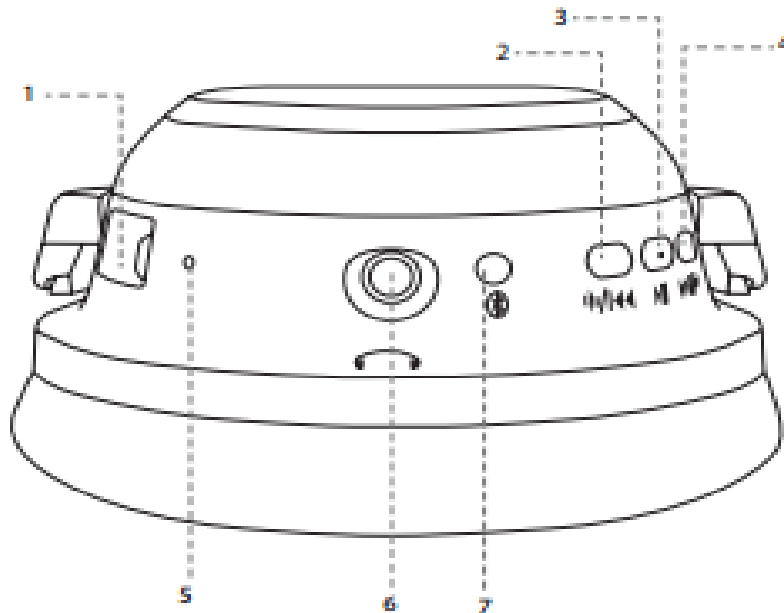
Battery time (Bluetooth® + noise cancelling): 12 hours

Battery Type: Li-Polymer

### **Package Contents:**

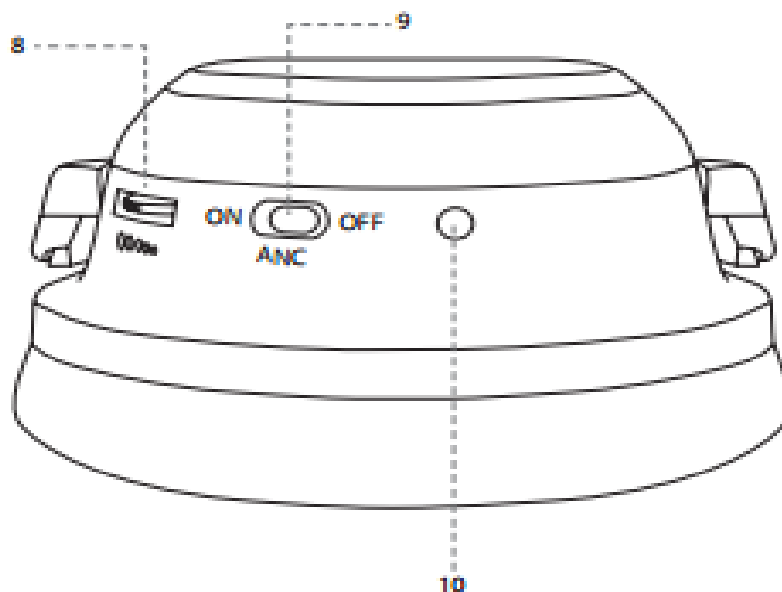
1. BANC-50 Headphones
2. 3.5mm Audio Cable
3. 1/4 inch Stereo-plug Adapter
4. Dual-plug Adapter (For Airline)
5. USB Charging Cable
6. Small Mesh Bag
7. Hard Shell Case
8. User Manual

Left Side



- 1 – USB Socket (For Charging)
- 2– Volume – / Previous Song (Only for Bluetooth®)
- 3– Multifunction Button (▶||) / Switch ON/OFF, Pairing, Make/Answer/End/Reject Call
- 4– Volume + / Next song (Only for Bluetooth®)
- 5– Microphone
- 6– 3.5mm Audio Jack
- 7– Bluetooth® LED Indicator

Right Side



- 8– Volume + / – Knob (For Bluetooth®, Noise Cancelling or Wired)
- 9– Noise cancelling ON/OFF Button
- 10– Noise Cancelling LED Indicator

**Adjusting the Headband:**

- In order to achieve maximum comfort and noise cancellation, the headband should be adjusted to properly fit your head with the ear cups sitting comfortably over your ears.

**Charging the Headphones:**

Prior to use, charge your BANC-50 headphone unit by connecting the included charging cable into a USB power outlet (such as USB chargers or computer USB ports) and plug the other end into the headphone's micro USB charging port. The LED indicator will light up red showing that the unit is being charged. When charging is complete, the red LED indicator will turn off.

**Active Noise Cancelling Mode:**

- Adjust the volume on the headphones.
- To power ON the noise cancelling function, set the ON/OFF switch to ON. The Noise Cancelling LED indicator will light up in blue.

Note: After you turn ON the power, you might hear a slight hissing noise. This is a normal function and will cease after a few seconds.

- When the batteries are running low, the Noise Cancelling LED indicator will become dim.
- Once the battery is fully drained, the active noise cancelling feature will turn off but the audio signal from the music player will continue to transmit.
- In quiet environments where noise cancellation is not required, the BANC-50 can also be used like conventional headphones, without the use of batteries.
- When not in use, switch OFF the POWER to extend battery life.

**Bluetooth® Function****Main Functions****Turning ON/OFF:**

1. Power ON your headphones: ►||

Press and hold the Multifunction Button (►||) for about 4 seconds until the Bluetooth® LED indicator light starts flashing green/red rapidly with an ascending sound.

2. Power OFF your headphones: Press and hold the ►|| for about 5 - 6 seconds until the Bluetooth® LED indicator light turns solid red with a descending sound.

**Getting Started with your BANC-50:**

To use your Stereo Bluetooth® Headphone, please follow the steps below:

- a) Ensure your Bluetooth® Headphone is fully charged.
- b) Pair your charged Bluetooth® Headphone with a Bluetooth®-enabled mobile phone prior to first use. Please fully charge your new headphone before first use.

**Pairing your Headphone:**

The headphone works with Bluetooth®-enabled phones. Prior to using and pairing your headphone for the first time, please check to make sure your mobile phone is Bluetooth®-enabled.

1. Press and hold the ►|| for about 4 seconds until the Bluetooth® LED indicator flashes and alternates between green and red. The BANC-50 will now enter into pairing mode.
2. Enable searching of nearby Bluetooth® devices using the Bluetooth® menu on your device.
3. Once the “GOLZER BANC-50” is found, you can now connect and pair. If your device prompts you for a password, please use “0000”.
4. When pairing is successful, the Bluetooth® LED indicator will flash green every 4 seconds. If pairing is unsuccessful, please turn off the BANC-50 headphones and repeat the pairing steps.

After initial pairing is established, the headphones will automatically reconnect to the last paired device upon turning ON.

**Call-related Functions:**

Answer a call	Press ►   once to answer
End a call	Press ►   again to end
Ignore a call	Hold ►   for 3 seconds
Last number re-dialing from headphone	Press ►   twice in standby status
Swap calls	Press ►   for 3 seconds

**Music-related Functions:**

Play/Pause Music	Press down the ►   Button once to start playing music and press it again to pause your music
Next/Previous Song	Press down the Music/Volume Control button towards the Forward icon (►►) to play the next song. To play the previous song, slide and release the Music/Volume Control button towards the backward icon (◄◄).

**Voice Dialing from your Headphone:**

If your mobile phone is equipped with a voice dialing function, press and hold the ►|| button and say the voice tag according to the phone's command functions. You must record the voice tag (the person's name) into your mobile phone prior to using the voice dialing function on the headphone. Please refer to your mobile phone's user guide.

**Using the 3.5mm Audio Cable:**

3.5mm audio cable is included for use with multimedia devices that do not have Bluetooth® capabilities. You may also use the audio cable if the BANC-50 is not charged properly.

**Note:**

- You are able to use both Noise Cancelling & Bluetooth® Function simultaneously.
- You may notice 2 types of volume controls on the BANC-50 headphones. The BANC-50 headphone is a multifunction headphone unit. It can be used as a regular wired, active noise cancelling, or BT headphone. The right side volume wheel (Volume A) works for all functions - the left side volume buttons (Volume B) only work for BT headphone functionality. (See Headphone Overview)

#### **\*Adjusting the Volume B:**

When you are on the phone or listen to the music, push the volume button (8) or long press the button (2) (4) repeatedly until you reach the desired volume level.

## Troubleshooting

If you are unable to connect your headphone and your mobile phone, please try the following:

- Ensure your headphone is turned OFF and properly charged.
- Ensure the headphone is properly paired with your mobile phone.
- Ensure the headphone is within a 10 meter range of your paired Bluetooth® device and that there are no obstructions, such as walls or other electronic devices in between.
- Ensure your mobile phone's Bluetooth® feature is activated. Please refer to your mobile phone user guide for specific instructions.
- If your mobile phone is experiencing technical difficulties, you may try resetting it by removing the battery for about 20 seconds and then putting it back securely.
- To reset certain functions of the BANC-50 headphones you can simply plug-in to recharge then disconnect.

## Safety instructions

- Always turn down the volume control before plugging the headphones into a sound source.
- Do not use these headphones where vehicular traffic is present, or in any other activity where a failure to hear surrounding sounds could be dangerous.
- Maintenance and service operations are only to be carried out by authorized dealers. Damage caused by manual modifications of the product is not subject to warranty.
- If this product is used for other purposes than originally intended, the product may suffer damage and will void the warranty.
- Long-term exposure to loud music may cause hearing damage. It is best to avoid extreme volume when using these headphones, especially for extended periods.
- Keep batteries out of reach of children.

## Contact us

If in need of further assistance, you may contact us for more support.

**Website:** [www.golzer.io](http://www.golzer.io)

**Email:** [contact@golzer.io](mailto:contact@golzer.io)

**Twitter:** <https://twitter.com/golzertech>